

**Performance**

Lifting height	6010.0 mm
Rated capacity	3000 kg
Capacity (at max. height)	3000 kg
Capacity (at max. reach)	1300 kg
Max. reach	3365.0 mm
Crowding force	5700 daN

**Weights**

Weight (unladen)	6110 kg
------------------	---------

**Traction**

Standard tyres	Standard 405/70x20
1st gear / low range (40 km/h option)	6 (6) km/h
1st gear / high range (40 km/h option)	11 (12) km/h
2nd gear / low range (40 km/h option)	16 (18) km/h
2nd gear / high range (40 km/h option)	30 (40) km/h

**Drive System**

Main drive	Hydrostatic motor with 2 speed gearbox
Transmission	Hydrostatic with electronic regulation

**Engine**

Make / Model	PERKINS / 1104D-44TA
Fuel	Diesel
Cooling	Liquid
Rated power (ISO 14396:2002) at 2200 RPM	74.5 kW
Maximum torque at 1400 RPM	410.0 Nm
Number of cylinders	4
Displacement	4.40 L

**Hydraulic System**

Pump type	Gear pump with LS valve
Combined pump capacity	100.00 L/min

**Cycle Times**

Lift time - no load	6.9 s
Lower time - no load	5.0 s
Telescope in time at max. reach - no load	5.3 s
Telescope in time at max. height - no load	5.3 s
Telescope out time at max. reach - no load	5.4 s
Telescope out time at max. height - no load	5.4 s

**Brakes**

Engine braking	Hydrostatic
Parking and emergency brake	Negative brake with hydraulic command

**Fluid Capacities**

Axles and reduction gears front / rear	9.1/9.1 L
Engine oil	8.50 L
Fuel tank	138.00 L
Hydraulic reservoir	59.00 L

**Standard Features**

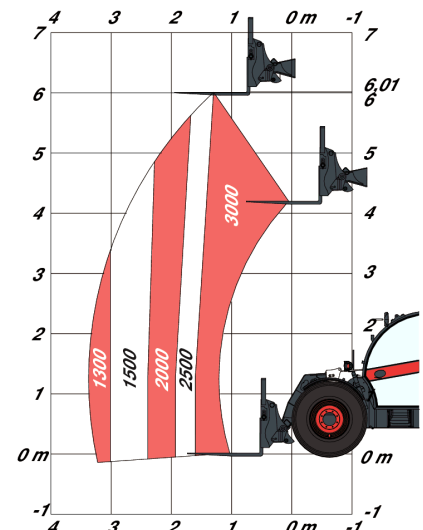
Aggravating Movements Arrester (AMA)	Two way hydraulic supply at the end of the boom
Hydrostatic transmission	Mudguards
ROPS/FOPS operator cab	Turbo-charged engine
Heating, demisting and ventilation	Narrow hook-up for mounting of the equipment
Front and rear washer/wipers	Mechanical lock of the equipment
Suspension seat	Joystick with forward/reverse control
Road lights	Transmission lock override
Turn signals	Work lights on top of the cab
Right and left side mirrors	Standard 405/70x20 tyres

**Environmental**

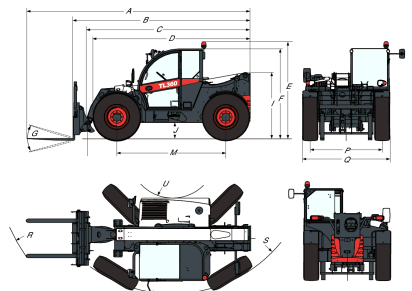
Level of acoustic power (LWA)	106 dB(A)
-------------------------------	-----------

**Load Charts**

With forks and standard 405/70x20 tyres



Complies with stability test EN1459 Annex B

**Dimensions**


(-)	900.0 mm	(L)	1156.0 mm
(A)	5874.0 mm	(M)	2870.0 mm
(B)	4669.0 mm	(N)	643.0 mm
(C)	4563.0 mm	(O)	1013.0 mm
(E)	2561.0 mm	(P)	1895.0 mm
(F)	2374.0 mm	(Q)	2300.0 mm
(G)	135°	(R)	4852.0 mm
(I)	1752.0 mm	(S)	3714.0 mm
(J)	430.0 mm	(U)	1092.0 mm

**Options**