

Performance

Lifting height — on stabilisers	13600.0 mm
Lifting height — on tyres	13300.0 mm
Rated capacity	4100 kg
Capacity (at max. height on stabilisers)	4100 kg
Capacity (at max. height on tyres)	2500 kg
Capacity (at max. reach on stabilisers)	1250 kg
Capacity (at max. reach on tyres)	500 kg
Max. reach on stabilisers	9800.0 mm
Max. reach on tyres	9800.0 mm
Crowding force	5200 daN

Weights

Weight (unladen)	10290 kg
------------------	----------

Traction

Standard tyres	400/80x24
Low speed (forward/reverse)	8.5 km/h
High speed (forward/reverse)	30.0 km/h
Driving modes	Direct drive / soft drive

Drive System

Main drive	Hydrostatic motor
Transmission	Hydrostatic with electronic regulation

Engine

Make / Model	DEUTZ / TCD 3.6 L4
Fuel	Diesel
Cooling	Liquid
Rated power (ISO 14396) at 2300 RPM	74.4 kW
Maximum torque at 1600 RPM	410.0 Nm
Number of cylinders	4
Displacement	3.62 L

Hydraulic System

Pump type	Gear pump with LS valve
Combined pump capacity	100.00 L/min

Cycle Times

Lift time - no load	12.8 s
Lower time - no load	8.4 s
Telescope in time at max. reach - no load	12.9 s
Telescope in time at max. height - no load	11.3 s
Telescope out time at max. reach - no load	18.8 s
Telescope out time at max. height - no load	18.8 s

Brakes

Engine braking	Hydrostatic
Parking and emergency brake	Negative brake with hydraulic command

Fluid Capacities

Axles and reduction gears front / rear	9.1/9.1 L
Engine oil	8.00 L
Fuel tank	145.00 L
Hydraulic reservoir	76.00 L

Standard Features

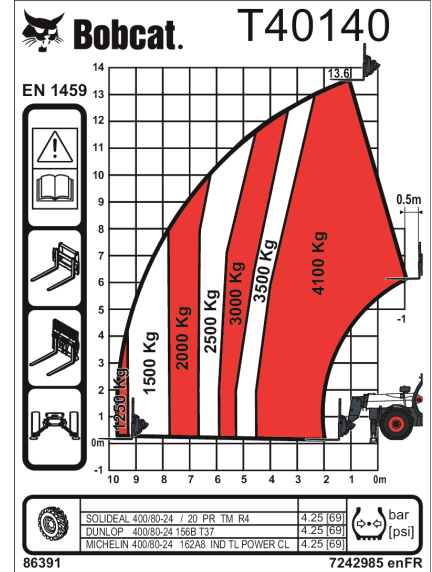
Aggravating Movements Arrester (AMA)	Right and left side mirrors
Hydrostatic transmission	Two way hydraulic supply at the end of the boom
ROPS/FOPS operator cab	Mudguards
Heating, demisting and ventilation	Turbo-charged engine - Deutz 3B
Front and rear washer/wipers	Narrow hook-up for mounting of the equipment
Suspension seat	Mechanical lock of the equipment
Road lights	Four 400/80x24 tyres
Turn signals	Transmission lock override

Environmental

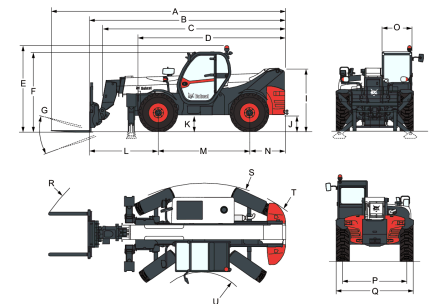
Operator noise level (LpA) (EN 12053)	79 dB(A)
Level of acoustic power (LWA)	106 dB(A)
Whole body vibration (EN 13059)	0.29 ms ⁻²

Load Charts

With forks and standard 400/80x24 tyres, on stabilisers



Complies with stability test EN1459 Annex B

Dimensions


(-) 16°	(M) 2850.0 mm
(-) 109°	(O) 930.0 mm
(A) 7313.0 mm	(P) 1992.0 mm
(B) 6052.0 mm	(Q) 2394.0 mm
(E) 2670.0 mm	(R) 5720.0 mm
(F) 2476.0 mm	(S) 3782.0 mm
(G) 124°	(U) 1761.0 mm
(J) 500.0 mm	

Options

Air conditioning	Multifunctional remote control
Air suspension seat	No forward/reverse control on joystick
Auxiliary line on boom with ACD and electric connectors	Pintle tow hitch
Back up alarm	Radio ready
Basic tow hitch	Rear electric socket
Boom stop	Rear flat mirror
Carriage with hydraulic attachment lock	Roof window wiper
Cold start	Rotating beacon
Custom colour	Sun visor
Cyclonic air prefilter	Support for registration plate
Drawbar coupler tow hitch	Windscreen grill
Fan inverter	Work light on boom
Fire extinguisher	Wheel wedge
Lockable fuel cap	Winch ready
Man platform predisposition	